

File: L:\Municipal Projects\Watford City\Miscellaneous Projects\Standard Details\1205-5 Type 24 in Inlet MH & Type 24 in Inlet.dwg

NOTE NO.1 - INLET CASTING SHALL BE AS DEFINED IN SECTION 1205-2.6.

NOTE NO.2 - ALLOWANCE FOR ADJUSTMENT SHALL BE 1 1/2" MINIMUM TO 3" MAXIMUM. SEE STANDARD DETAIL NO.1206-1.

NOTE NO.3 - CRETEX P2 GASKETED JOINT FOR 48" MANHOLES, CRETEX CX-4 JOINT FOR ALL OTHER SIZES OF MANHOLES OR EXTERIOR SEAL BY PRESS-SEAL GASKET CORP. EZ WRAP AND EZ STIK NO. 4 PRIMER, CRETEX SPECIALTY PRODUCTS "MAC WRAP" OR AN APPROVED EQUAL.

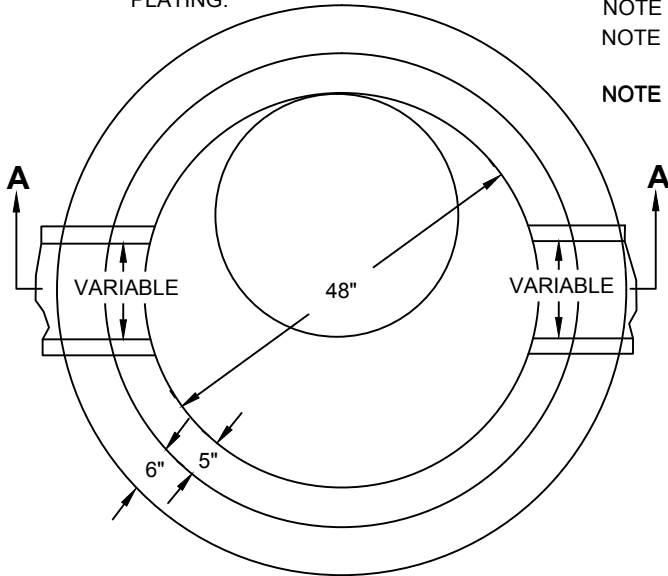
NOTE NO.4 - USE PRECAST SECTION FOR THREE PIPES OR LESS UP TO 15" DIAMETER. FOR MORE THAN THREE PIPES OR FOR LARGER PIPES, A SECTION SHALL BE POURED IN PLACE ALLOWING A MINIMUM OF 3" FROM THE BOTTOM OF THE ROOF SLAB TO THE LARGEST OR HIGHEST PIPE. SEE STANDARD DETAIL NO. 1205-4 FOR ROOF SLAB, BASE & OTHER DIMENSIONS.

NOTE NO.5 - BOLTS FOR CASTING SHALL BE TEMPER FINISH, DOUBLE HEAT TREATED-1038 S.A.E. GRADE 5, WITH CAD-DICHROMATE PLATING.

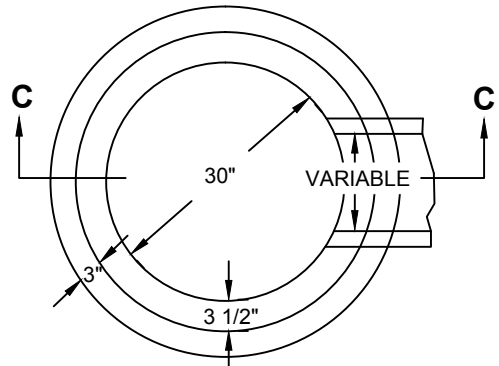
NOTE NO.6 - SLOPE FLOOR TO INVERT OF LOWEST PIPE.

NOTE NO.7 - EXTERNAL MANHOLE CHIMNEY SEAL AS MANUFACTURED BY CRETEX OR AN APPROVED EQUAL, IF SPECIFIED.

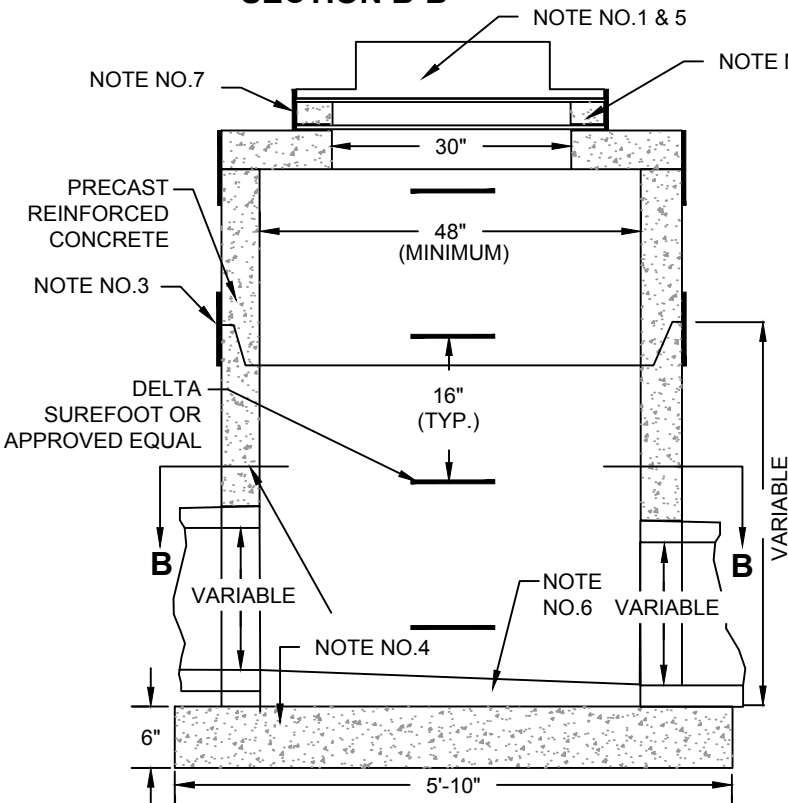
NOTE NO.8 - STEPS SHALL BE PLACED IN SANITARY SEWER, STORM SEWER AND AIR RELEASE MANHOLES AND INLETS AS SPECIFIED. THE MANHOLE STEPS SHALL BE DELTA SUREFOOT OR APPROVED EQUAL. STEPS SHALL BE SPACED 16" ON CENTER.



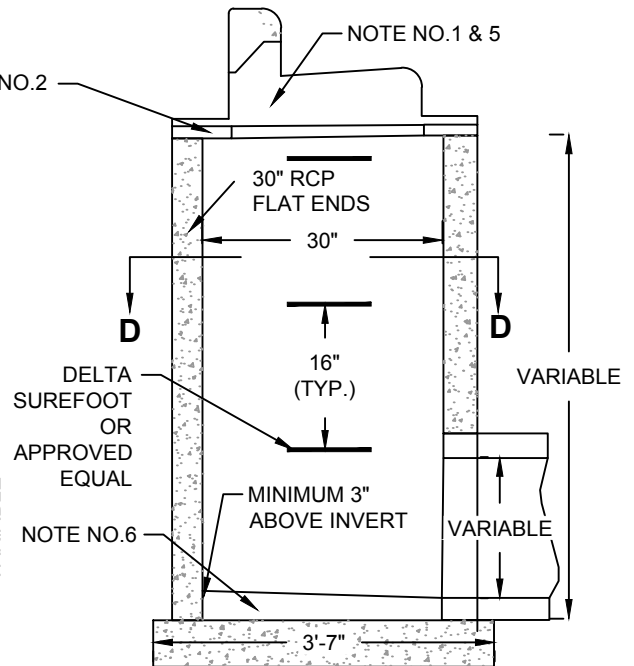
SECTION B-B



SECTION D-D



**SECTION A-A
TYPE 24" INLET/MANHOLE**



SECTION C-C TYPE 24" INLET

CITY OF WATFORD CITY, NORTH DAKOTA
PUBLIC WORKS DEPARTMENT

TYPE 24" INLET/MANHOLE &
TYPE 24" INLET

APPROVED FOR PUBLICATION

DWG. NO.

City Engineer

Date

1205-5